

BMR36S12-4SE Preliminary Datasheet

1. Overview

The BMR36S12-4SE is a compact full-range Balanced Mode Radiator (BMR®) drive unit. It combines the benefits of Tectonic bending wave technology and pistonic modes of operation. A square form factor allows full use of the radiating area, maximizing audio performance within industrial design constrained products.

- Power Handling: 15 W
- 25.4 mm Voice Coil Diameter
- 54mm H x 63mm L x 30mm D
- Neodymium Motor Structure



Figure 1.1

**Product code and manufacture date is printed at the back of the return cup*

2. Preliminary Specifications

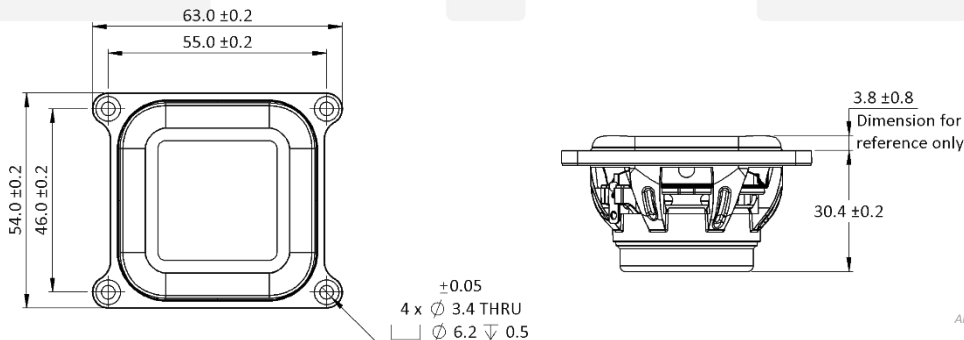
Transducer Performance

Frequency Response ($\pm 6\text{dB}$)	140 Hz ~ 20 kHz
Speaker Sensitivity (1 Watt / 1 meter)	81.5 dB
Rated Maximum SPL (1 Meter)	93.3 dB
Speaker Nominal Impedance	4 Ω
Power Handling (IEC268-5)	15 W
Operating Temperature	-20 to +55 $^{\circ}\text{C}$
Voice Coil Diameter	25.4 mm
Voice Coil Material	TIL
Diaphragm Material	Doped Paper Composite
Max Linear Excursion*	4 mm Peak to peak
Max Mechanical Excursion	10 mm Peak to peak

**From Klippel LSI*

Parameter	Nominal	Unit
Fs	146	Hz
Sd	17.1	cm^2
Mms	2.24	g
Cms	0.53	mm/N
Rms	0.4	kg/s
Re	3.75	Ω
Bl	3.02	$\text{T}\cdot\text{m}$
Le	0.08	mH
Qts	0.73	
Max Surround Frontal Movement	2.66 mm	

2.1. Product Dimensions



All dimensions are in mm