



For more Hi-Fi manuals and set-up information  
please visit [www.hifiengine.com](http://www.hifiengine.com)

# Service Manual

Stereo Flat Preamplifier

## SU-9070

**Supplement**

### Improvement of Abnormal Oscillation at MM Terminals

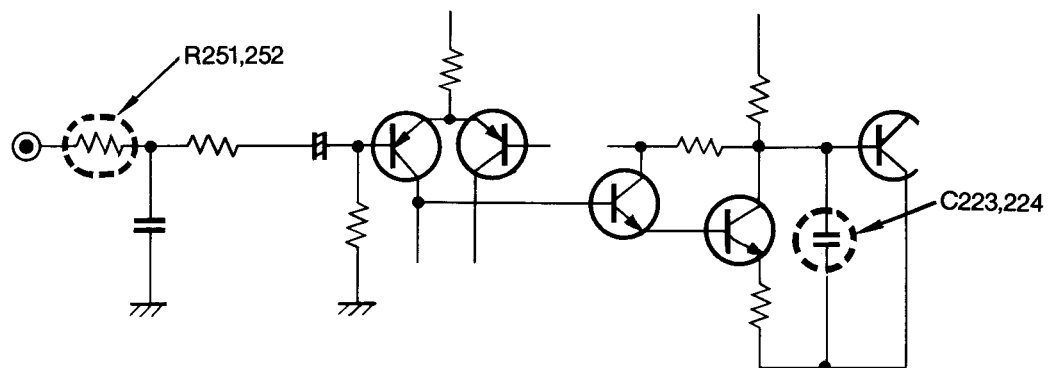
- Notes:
- \* This service manual includes only the changes of the **SU-9070** service manual (ORDER NO. SD7708-1258).
  - \* When servicing model **SU-9070**, this service manual and **SU-9070** (ORDER NO. SD7708-1258) service manuals should be used together.

#### ■ REPLACEMENT PARTS LIST

Ref. No.	Old		New		
	Part No.	→ Part No.	Part Name & Description	Per Set	Remarks
R251,252	ERD25TJ180	<b>ERD25TJ680</b>	Carbon, 68Ω, 1/4W, ±5%	1	
C223,224	ECCD2H330K	<b>ECCD2H680K</b>	Ceramic, 68pF, 500V, ±10%	1	

#### ■ SCHEMATIC DIAGRAM

##### ● Equalizer Circuitry



# Parts Change Notice

Stereo Integrated Amplifier

**SU-9200** (X),(XE),(XH),(FEE)

## Re : Modification of Replacement Part

This is to advise you that part numbers of replacement parts have been changed on the following stereo models.

New part numbers (listed here in) are different from the replacement parts list of the stereo service manual.

Please revise the replacement parts list of the service manual or price list, and use new part numbers when placing replacement part orders.

### Explanation of Notes :

Year		Month		Interchangeability		Reason of Change		New Suffix of set
5	7	1	2	A	1	B		
5	1975	1	JAN.	A	(OLD) → (OLD)	1	To improve performance	
6	1976	2	FEB.		(NEW) → (NEW)	2	Change of material or dimension	
7	1977	3	MAR.	B	(OLD) → (OLD)	3	To meet approved specification	
8	1978	4	APR.		(NEW) → (NEW)	4	Standardization of parts	
.	.	5	MAY.	C	(OLD) → (OLD)	5	Addition of part	
.	.	6	JUN.		(NEW) → (NEW)	6	Deletion of part	
.	.	7	JUL.	D	(OLD) → (OLD)	7	Correction	
.	.	8	AUG.		(NEW) → (NEW)	8	Other	
.	.	9	SEP.					
.	.	J	OCT.					
.	.	K	NOV.					
.	.	L	DEC.					

### Notes :

How to use the interchangeability chart

- The arrows indicate which sets the part can be used in.
- For parts classified A, both the old and the new parts can be used in both the old and the new sets.
- For parts classified B, old parts cannot be used in new sets.
- For parts classified A and B, gradually new parts only should be stocked.
- For parts classified C, the use of old parts should be discontinued, for reasons of performance, etc.
- For parts classified D, both new parts and old parts should be stocked because old and new are not interchangeable.

SU-9200(X), (XE), (XH), (FEE)

Stereo Department

Additional changes: see ↴

Refer to cover page

Line ↴	Description	Ref. No.	Service Manual	Notes →	Change - 1, (3)		Notes →	Change - 2, (4)		Line/ Page	Line ↴
			Part No.		Part No.	Price		Part No.	Price		
1	Transistor	TR101~104	2SA902-F	5KC1	2SA902S-F						1
2	Transistor	TR201~204	2SA902-F	5KC1	2SA902S-F						2
3	Transistor	TR509	2SC1509-Q	5KC1	2SA777-Q						3
4	Diode	D501	SVDAC08P-2R	68C8	RVD10DC2R						4
5	Diode	D502	SVDAC08P-2	68C8	RVD10DC2						5
6	AF Out put Relay	RLY1,2	SSEA14	5JC1	SSY11						6
7	Polyethylene Sheet	P2	SPHA6010	5KA2	SPP163						7
8											8
9											9
10											10
11											11
12											12
13											13
14											14
15											15
16											16
17											17
18											18
19											19
20											20
21											21
22											22
23											23
24											24
25											25

# Parts Change Notice

Stereo Integrated Amplifier

**SU-9600** (X),(XE),(XH),  
(FEE),(XAL)

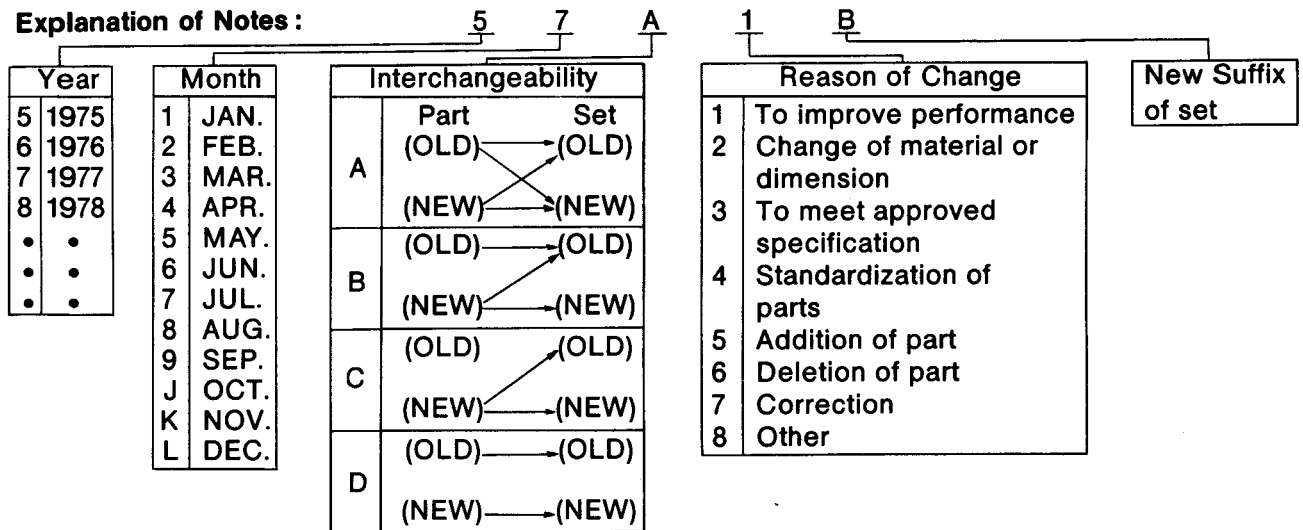
## Re : Modification of Replacement Part

This is to advise you that part numbers of replacement parts have been changed on the following stereo models.

New part numbers (listed here in) are different from the replacement parts list of the stereo service manual.

Please revise the replacement parts list of the service manual or price list, and use new part numbers when placing replacement part orders.

### Explanation of Notes :



### Notes :

#### How to use the interchangeability chart

- The arrows indicate which sets the part can be used in.
- For parts classified A, both the old and the new parts can be used in both the old and the new sets.
- For parts classified B, old parts cannot be used in new sets.
- For parts classified A and B, gradually new parts only should be stocked.
- For parts classified C, the use of old parts should be discontinued, for reasons of performance, etc.
- For parts classified D, both new parts and old parts should be stocked because old and new are not interchangeable.

SU-9600(X), (XE), (XH), (FEE), (XAL)

Stereo Department

Refer to cover page

Additional changes: see ↴

Line ↓	Description	Ref. No.	Service Manual	Notes →	Change - 1, (3)		Notes →	Change - 2, (4)		Line / Page	Line ↓
			Part No.		Part No.	Price		Part No.	Price		
1	Transistors (Except XAL)	TR101~108	2SA722STU	54C1	2SA902S-F						1
2	Transistors (Except XAL)	TR501~504	2SA722STU	54C1	2SA902S-F						2
3	Capacitor (Except XAL)	C6	Addition	66C1	ECEA10V47						3
4	Resistors (Except XAL)	R408~415	Addition	5JC1	ERD14TJ105		5LC1	ERC14GK825			4
5	Fuse	F1	XBA2F05NU5	61C7	XBA2F05NU100						5
6											6
7											7
8											8
9											9
10											10
11											11
12											12
13											13
14											14
15											15
16											16
17											17
18											18
19											19
20											20
21											21
22											22
23											23
24											24
25											25